

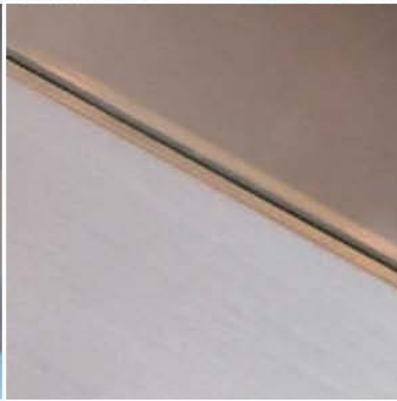
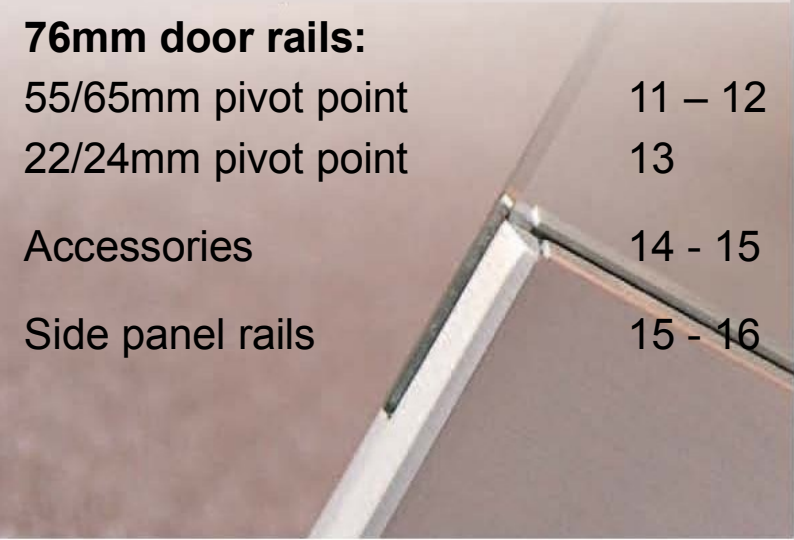
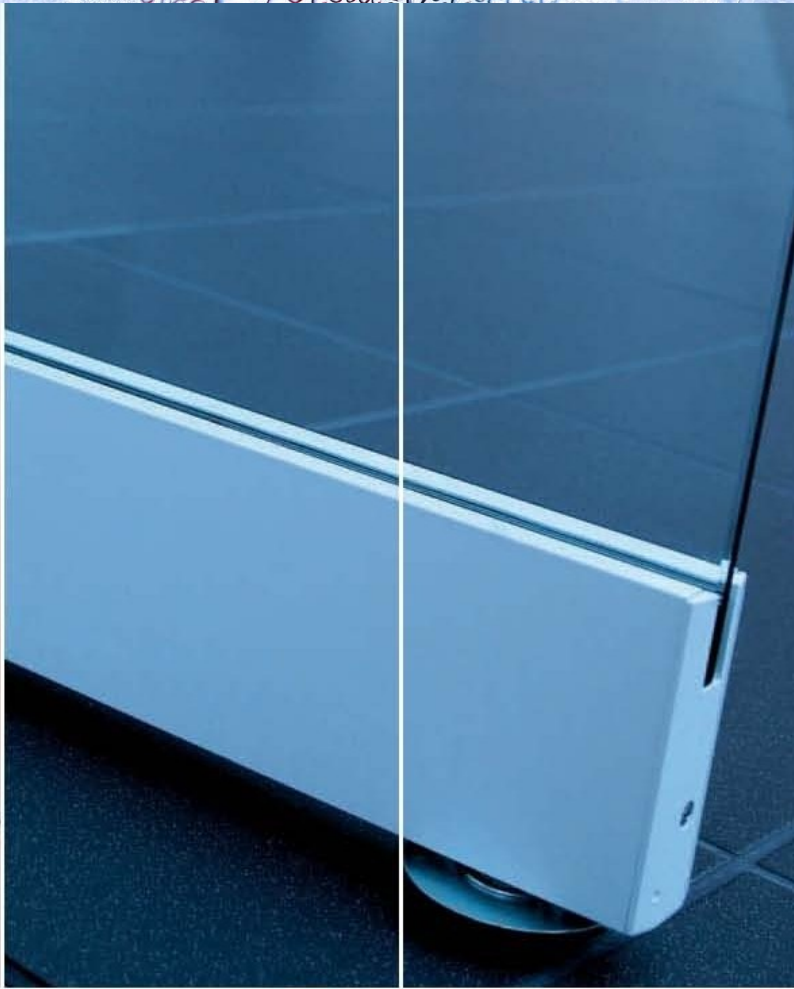
## Double Action Door Rails





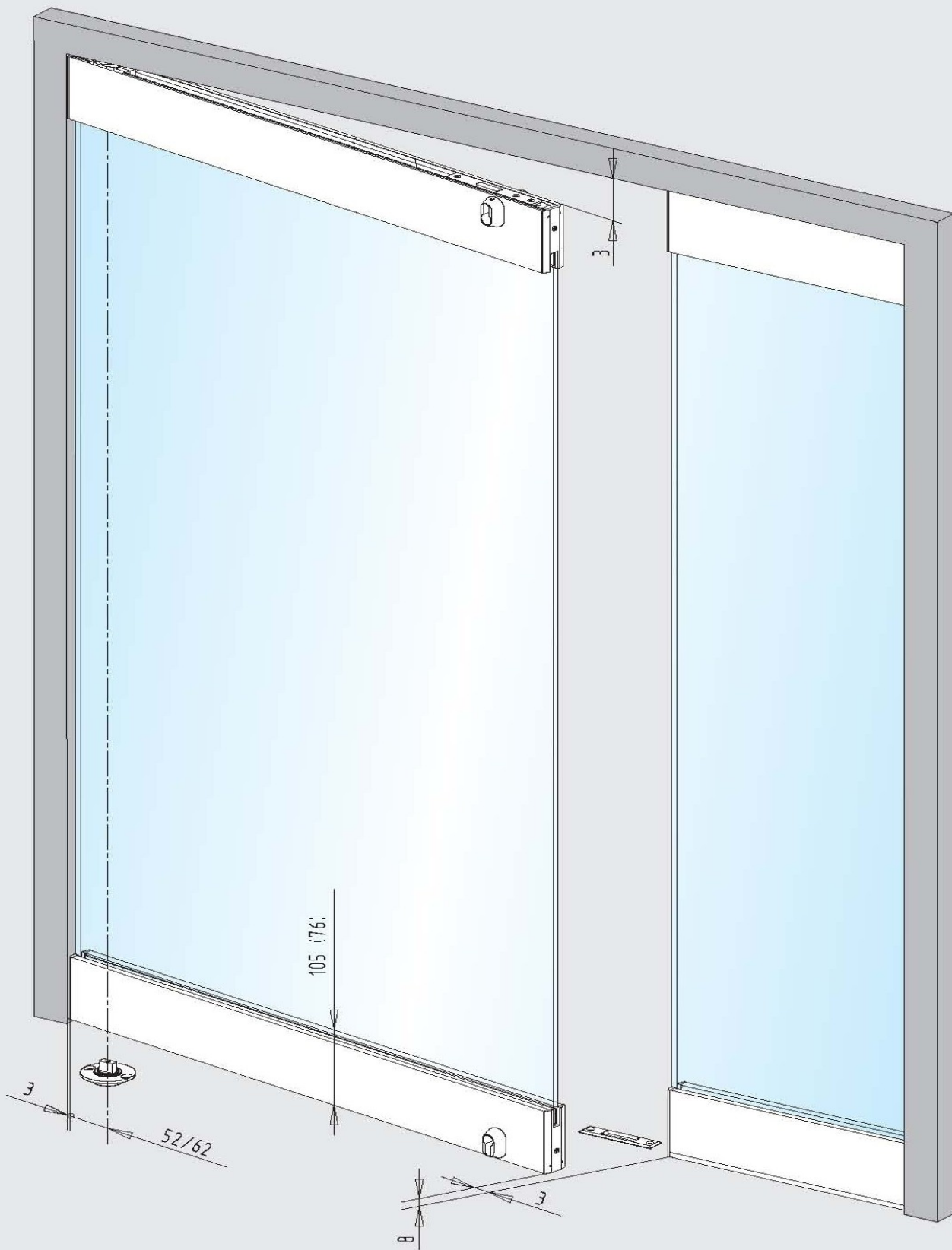
## Contents

Technical Details	3 - 6
Materials & surface finishes	7
<b>105mm door rails:</b>	
55/65mm pivot point	8 - 9
22/24mm pivot point	10
<b>76mm door rails:</b>	
55/65mm pivot point	11 - 12
22/24mm pivot point	13
Accessories	14 - 15
Side panel rails	15 - 16

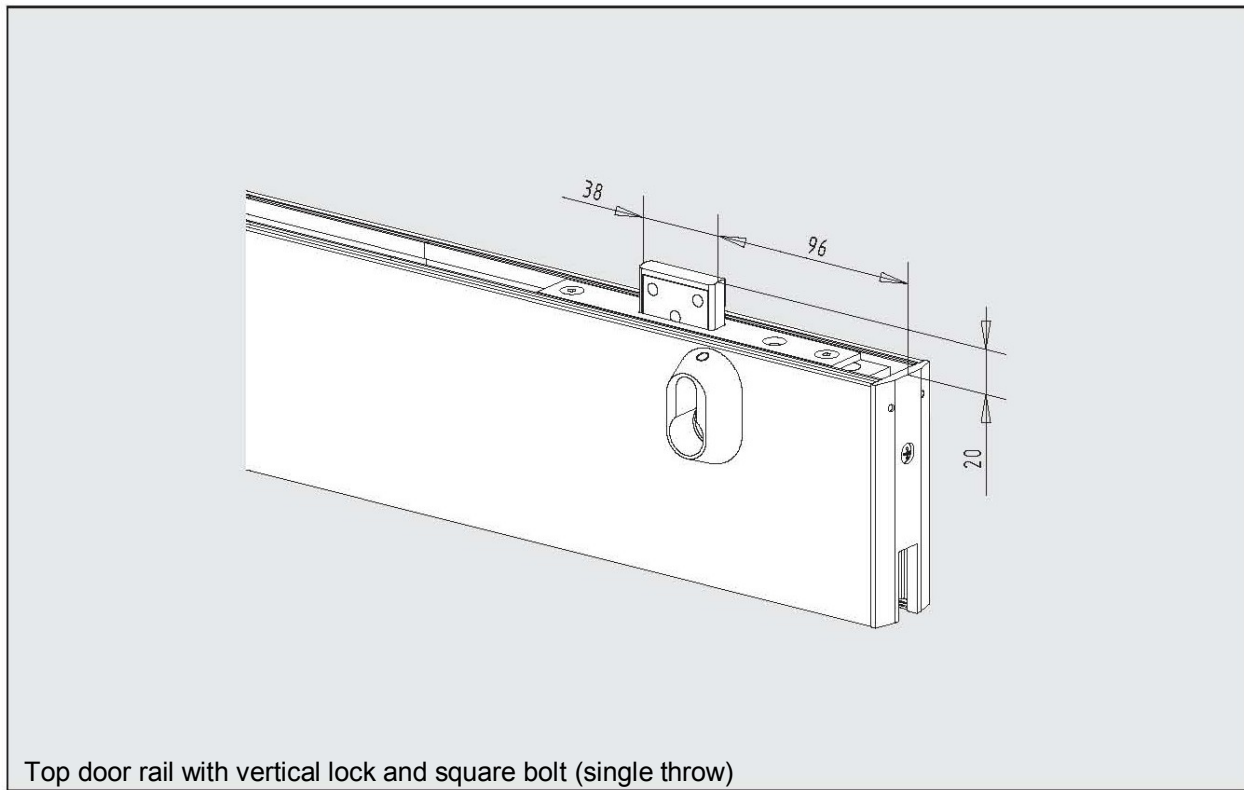




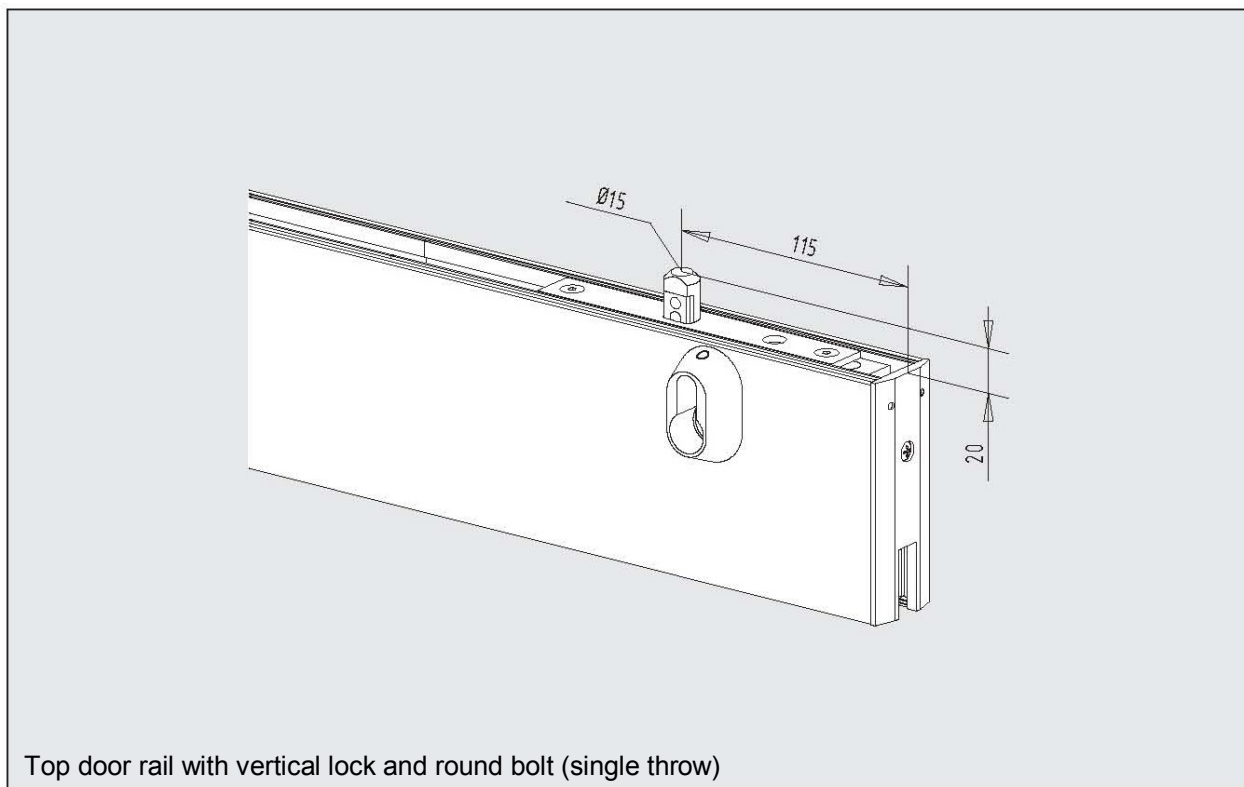
Technical details



Technical details



Top door rail with vertical lock and square bolt (single throw)



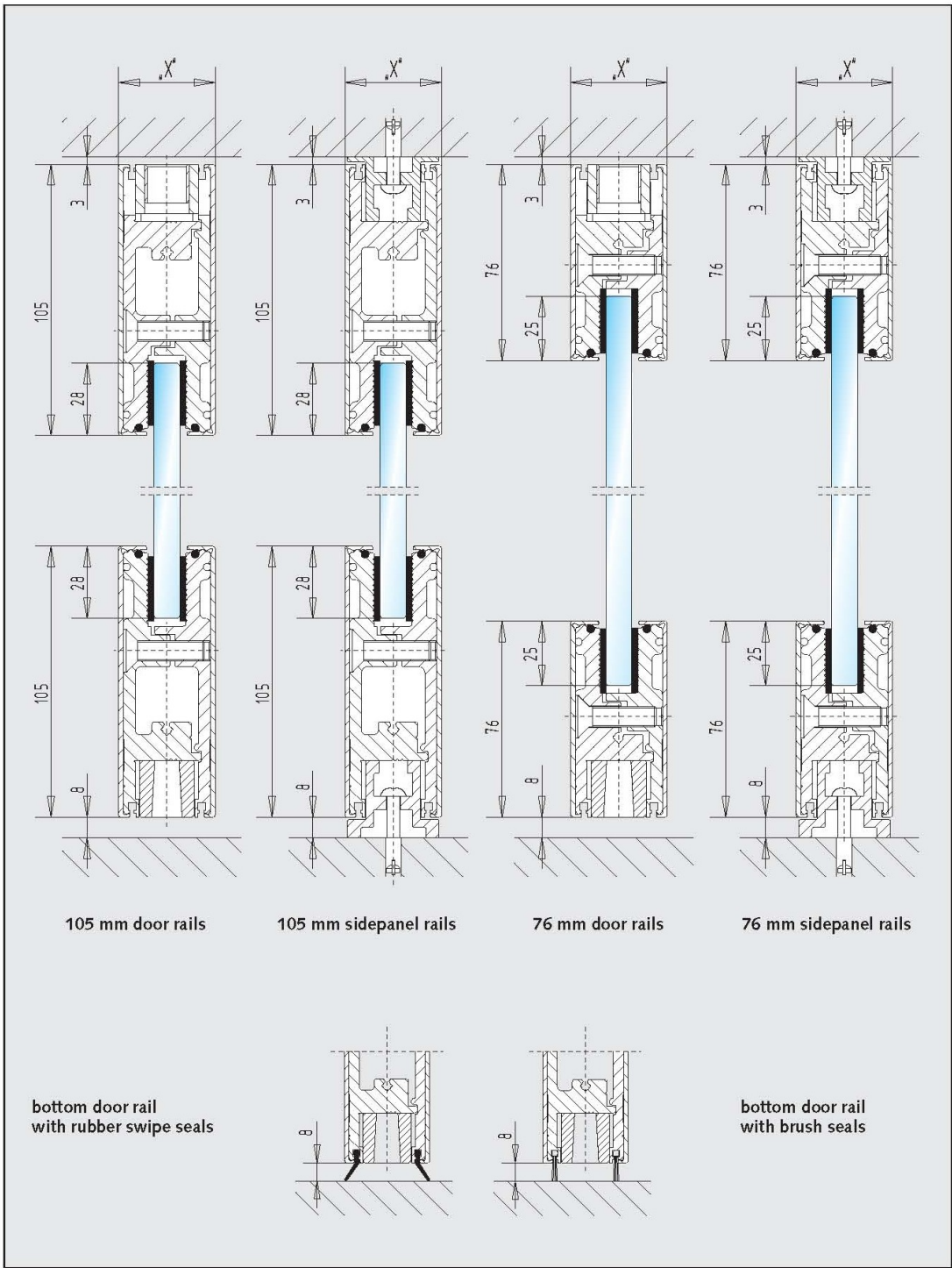
Top door rail with vertical lock and round bolt (single throw)



**Information to rail dimension "X"**

**Technical details**

door rail height	glass thickness	aluminium	brass	stainless steel
105 mm	8 / 10 / 12 mm	37 mm	35,5 mm	35,5 mm
105 mm	15 mm	40 mm	38,5 mm	38,5 mm
105 mm	19 mm	44 mm	42,5 mm	42,5 mm
76 mm	8 / 10 / 12 mm	37 mm	35,5 mm	35,5 mm





### **NDS Standard Rail Technical Features**

- Suitable for 8 - 19 mm thick glass as standard
- 55/65 mm pivot point available as standard
- 22 mm pivot point for 8 - 15 mm thick glass (standard)
- 24 mm pivot point for 19 mm thick glass (standard)
- No glass preparation required
- Covers in aluminium, brass and stainless steel
- Base profile manufactured from aluminium
- Stainless steel screws M8 (torque setting 16 Nm)
- Continuous brush / rubber swipe seal facility
- Tested to more than 1.000.000 closing cycles
- max. size: 1.400 x 2.800 mm (55/65 mm pivot pin)
- max. weight: 140 kg (bottom and top door rail)
- max. size: 1.400 x 2.800 mm (55/65 mm pivot pin)
- max. weight: 140 kg (bottom door rail and top pivot patch fitting)
- Profile cylinder 71 mm length necessary
- Flush assembly of profile cylinder according to DIN 18257

### **NDS Finger Safe Rail Technical Features**

- Seamless full height protection against finger crushing, ideal for automatic doors or locations where children are present
- Elegant and esthetical pleasing
- Suitable for 8 - 19 mm thick glass as standard
- No glass preparation required
- Covers in aluminium, brass and stainless steel
- Base profile manufactured from aluminium
- Stainless steel screws M8 (torque settings 16 Nm)
- Continuous brush / rubber swipe seal facility
- Tested to more than 1.000.000 closing cycles
- max. size: 1.400 x 2.800 mm (55/65 mm pivot pin)
- max. weight: 140 kg (bottom and top door rail)
- max. size: 1.400 x 2.800 mm (55/65 mm pivot pin)
- max. weight: 140 kg (bottom door rail and top pivot patch fitting)
- Profile cylinder 71 mm length necessary
- Flush assembly of profile cylinder according to DIN 18257

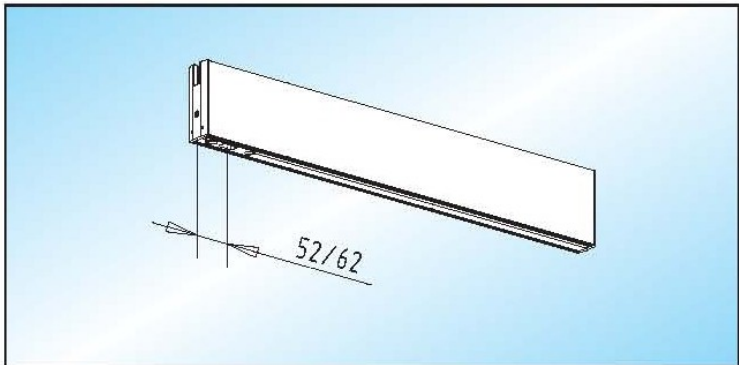
## Materials & surface finishes

Materials	Surface finishes code	Door rails / 105 mm	Door rails / 76 mm
Aluminium	mill finish ... 105	●	●
	E4/C-0 silver ... 112	●	●
	RAL 9010 pure white ... 250	●	●
	RAL 9016 traffic white ... 255	●	●
	E4/S5/EV 5 similar gold ... 132	●	●
	E4/C 34 dark bronze ... 152	●	●
	E4/C 31 similar stainless steel ... 137	●	●
	special anodized ... 199	●	●
	RAL coated ... 295	●	●
Brass	polished ... 318	●	●
	matt brushed ... 328	●	●
Stainless Steel	satin ... 426	●	●
	polished ... 416	●	●



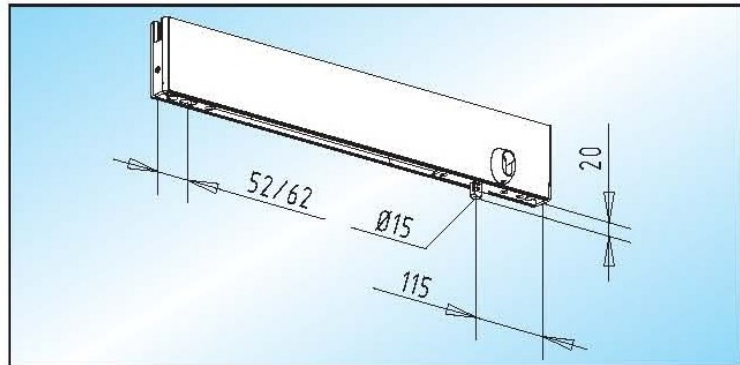
**55/65mm Pivot point**

- **bottom:** insert to suit flat-tapered floor spring spindle
- **top:** insert for  $\varnothing$  15 mm pivot pin
- available in lengths up to 1.400 mm max as standard, please enquire if you require longer.



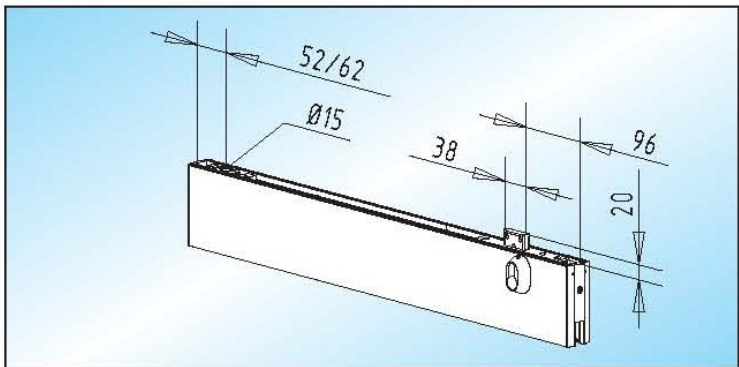
**PS 10 / PS 20 - Door rail (105 mm)**  
door rail without lock

Glass	bottom	top
8 mm	33.100.0400.____	33.200.0400.____
<b>10 mm</b>	<b>33.100.0900.____</b>	33.200.0900.____
12 mm	33.100.1100.____	33.200.1100.____
15 mm	33.100.1200.____	33.200.1200.____
19 mm	33.100.1300.____	33.200.1300.____



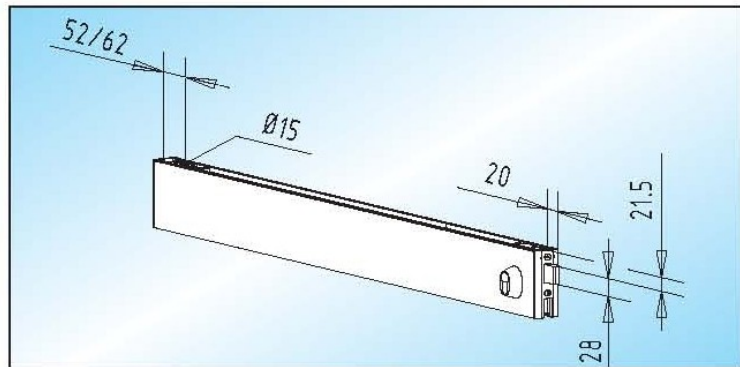
**PS 12 / PS 22 - Door rail (105 mm) / with lock**  
door rail with **vertical lock** and round bolt

Glass	bottom	top
8 mm	33.104.0400.____	33.204.0400.____
<b>10 mm</b>	<b>33.104.0900.____</b>	33.204.0900.____
12 mm	33.104.1100.____	33.204.1100.____
15 mm	33.104.1200.____	33.204.1200.____
19 mm	33.104.1300.____	33.204.1300.____



**PS 11 / PS 21 - Door rail (105 mm) / with lock**  
door rail with **vertical lock** and square bolt

Glass	bottom	top
8 mm	33.102.0400.____	33.202.0400.____
<b>10 mm</b>	<b>33.102.0900.____</b>	<b>33.202.0900.____</b>
12 mm	33.102.1100.____	33.202.1100.____
15 mm	33.102.1200.____	33.202.1200.____
19 mm	33.102.1300.____	33.202.1300.____



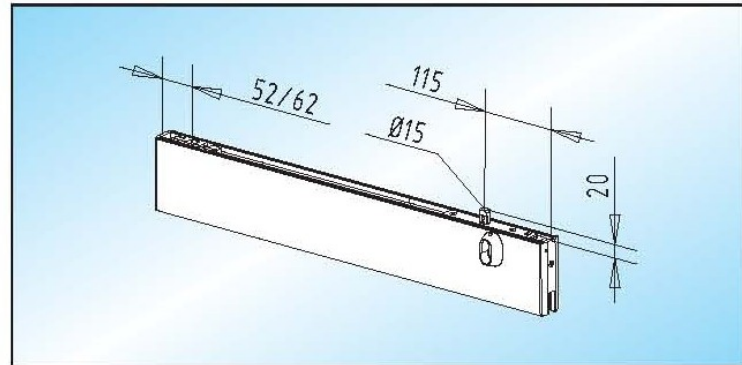
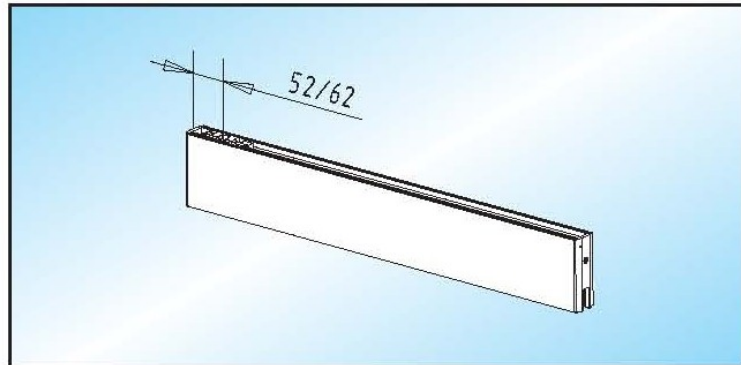
**PS 14 / PS 24 - Door rail (105 mm) / with lock**  
door rail with **horizontal lock** and square bolt

Glass	bottom	top
8 mm	33.106.0400.____	33.206.0400.____
<b>10 mm</b>	<b>33.106.0900.____</b>	<b>33.206.0900.____</b>
12 mm	33.106.1100.____	33.206.1100.____
15 mm	33.106.1200.____	33.206.1200.____
19 mm	33.106.1300.____	33.206.1300.____



**55/65mm Pivot point**

- top: insert for concealed overhead closer (RTS)
- available in lengths up to 1.400 mm max as standard, please enquire if you require longer.



**PS 20.1 - Door rail (105 mm - RTS)**

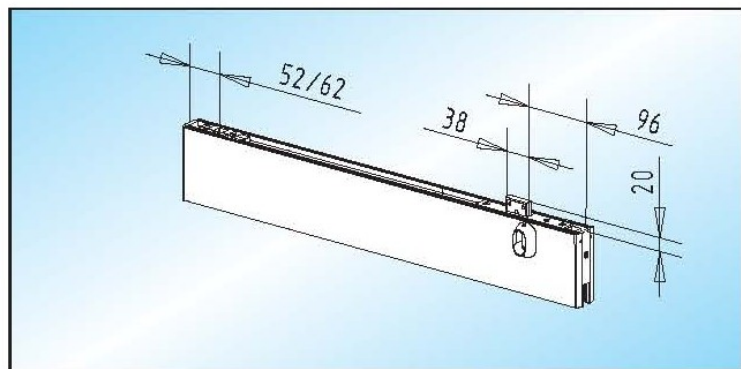
door rail without lock,  
for concealed overhead closer (RTS)

Glass	
8 mm	33.210.0400.____
<b>10 mm</b>	<b>33.210.0900.____</b>
12 mm	33.210.1100.____
15 mm	33.210.1200.____
19 mm	33.210.1300.____

**PS 22.1 - Door rail (105 mm - RTS) / with lock**

door rail with **vertical lock** and round bolt,  
for concealed overhead closer (RTS)

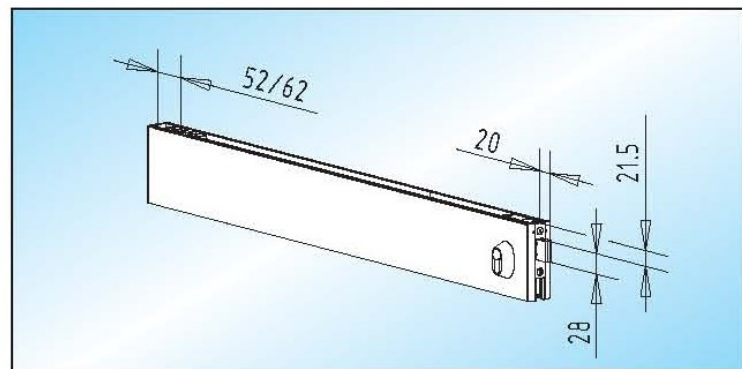
Glass	
8 mm	33.214.0400.____
<b>10 mm</b>	<b>33.214.0900.____</b>
12 mm	33.214.1100.____
15 mm	33.214.1200.____
19 mm	33.214.1300.____



**PS 21.1 - Door rail (105 mm - RTS) / with lock**

door rail with **vertical lock** and square bolt,  
for concealed overhead closer (RTS)

Glass	
8 mm	33.212.0400.____
<b>10 mm</b>	<b>33.212.0900.____</b>
12 mm	33.212.1100.____
15 mm	33.212.1200.____
19 mm	33.212.1300.____



**PS 24.1 - Door rail (105 mm - RTS) / with lock**

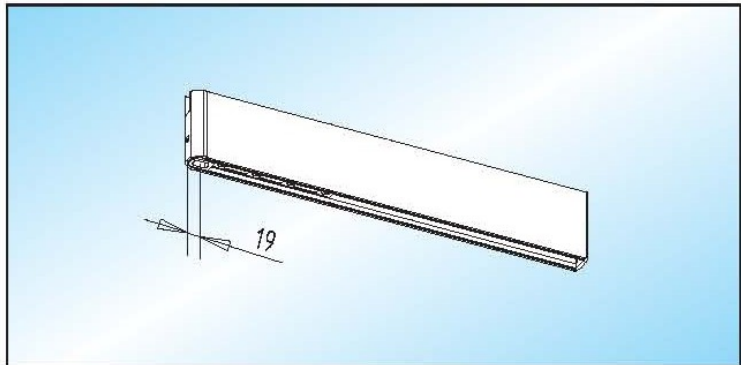
door rail with **horizontal lock** and square bolt,  
for concealed overhead closer (RTS)

Glass	
8 mm	33.216.0400.____
<b>10 mm</b>	<b>33.216.0900.____</b>
12 mm	33.216.1100.____
15 mm	33.216.1200.____
19 mm	33.216.1300.____



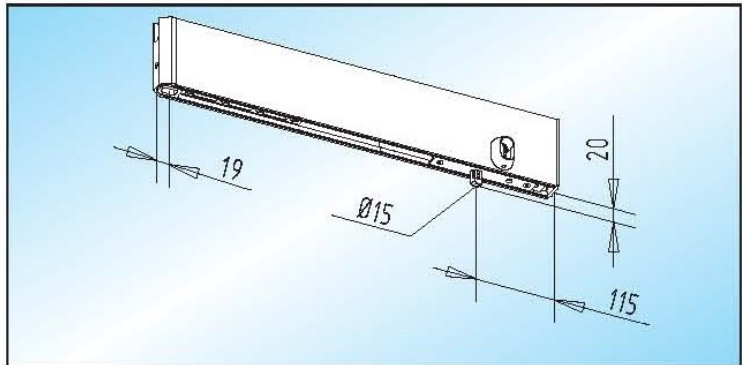
**22/24mm Pivot point (pinch free)**

- **bottom:** insert to suit flat-tapered floor spring spindle
- **top:** insert for  $\varnothing$  15 mm pivot pin
- available in lengths up to 1.400 mm max as standard, please enquire if you require longer.



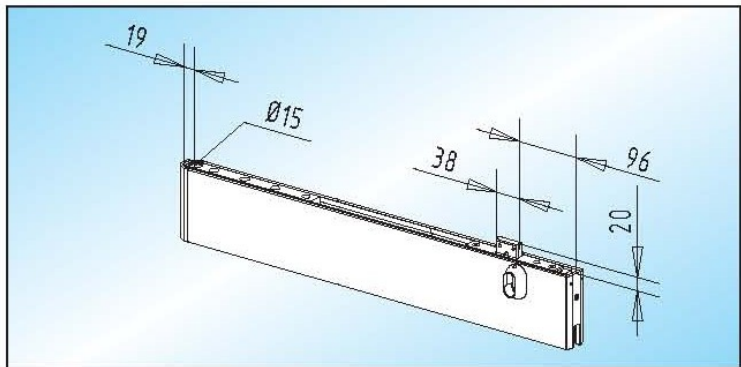
**PS 10.2 / PS 20.2 - Door rail (105 mm)**  
door rail without lock

Glass	bottom	top
8 mm	33.120.0400.____	33.220.0400.____
<b>10 mm</b>	<b>33.120.0900.____</b>	33.220.0900.____
12 mm	33.120.1100.____	33.220.1100.____
15 mm	33.120.1200.____	33.220.1200.____
19 mm	33.120.1300.____	33.220.1300.____



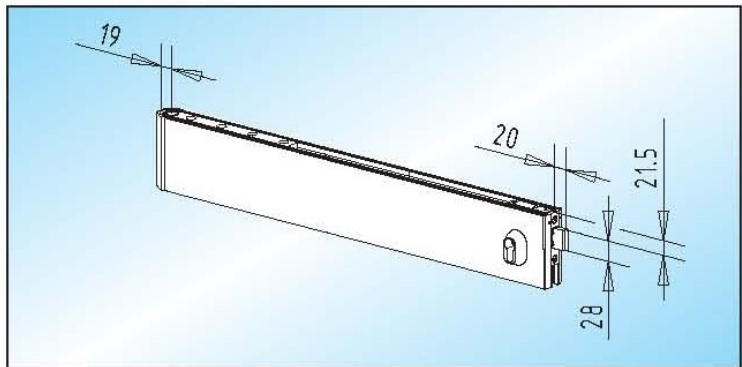
**PS 12.2 / PS 22.2 - Door rail (105 mm) / with lock**  
door rail with **vertical lock** and round bolt

Glass	bottom	top
8 mm	33.124.0400.____	33.224.0400.____
<b>10 mm</b>	<b>33.124.0900.____</b>	33.224.0900.____
12 mm	33.124.1100.____	33.224.1100.____
15 mm	33.124.1200.____	33.224.1200.____
19 mm	33.124.1300.____	33.224.1300.____



**PS 11.2 / PS 21.2 - Door rail (105 mm) / with lock**  
door rail with **vertical lock** and square bolt

Glass	bottom	top
8 mm	33.122.0400.____	33.222.0400.____
<b>10 mm</b>	<b>33.122.0900.____</b>	33.222.0900.____
12 mm	33.122.1100.____	33.222.1100.____
15 mm	33.122.1200.____	33.222.1200.____
19 mm	33.122.1300.____	33.222.1300.____



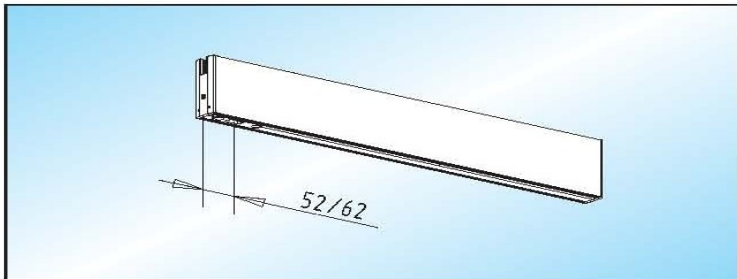
**PS 14.2 / PS 24.2 - Door rail (105 mm) / with lock**  
door rail with **horizontal lock** and square bolt

Glass	bottom	top
8 mm	33.126.0400.____	33.226.0400.____
<b>10 mm</b>	<b>33.126.0900.____</b>	33.226.0900.____
12 mm	33.126.1100.____	33.226.1100.____
15 mm	33.126.1200.____	33.226.1200.____
19 mm	33.126.1300.____	33.226.1300.____



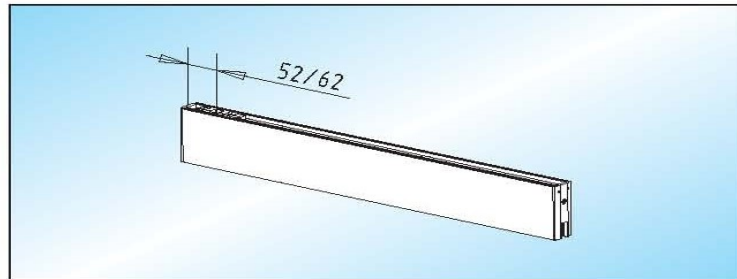
**55/65mm Pivot point**

- **bottom:** insert to suit flat-tapered floor spring spindle
- **top:** insert for  $\varnothing$  15 mm pivot pin / insert for concealed overhead closer (RTS)
- available in lengths up to 1.400 mm max as standard, please enquire if you require longer.



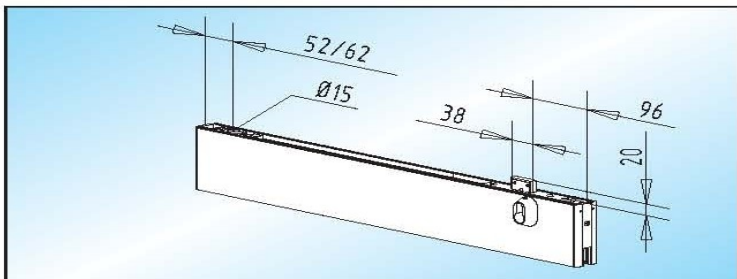
**PS 15 / PS 25 - Door rail (76 mm)**  
door rail without lock

Glass	bottom	top
8 mm	33.300.0400.____	33.400.0400.____
10 mm	33.300.0900.____	33.400.0900.____
12 mm	33.300.1100.____	33.400.1100.____



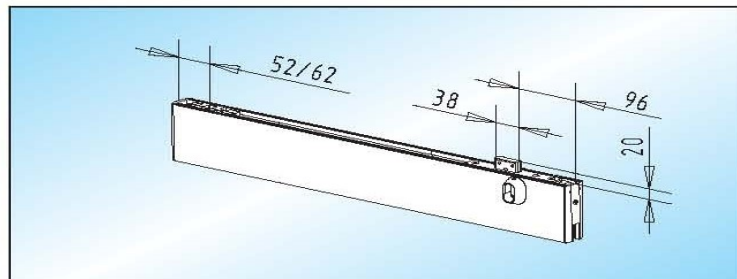
**PS 25.1 - Door rail (76 mm - RTS)**  
door rail without lock,  
for concealed overhead closer (RTS)

Glass	
8 mm	33.410.0400.____
10 mm	33.410.0900.____
12 mm	33.410.1100.____



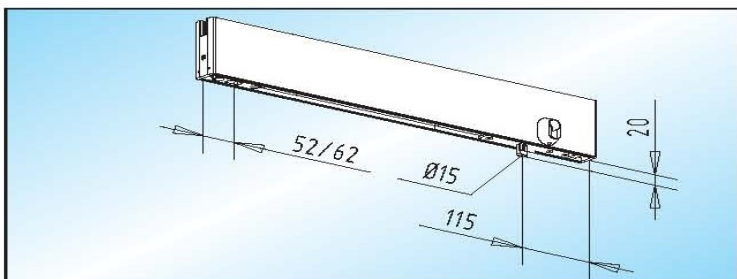
**PS 16 / PS 26 - Door rail (76 mm) / with lock**  
door rail with **vertical lock** and **square bolt**

Glass	bottom	top
8 mm	33.302.0400.____	33.402.0400.____
10 mm	33.302.0900.____	33.402.0900.____
12 mm	33.302.1100.____	33.402.1100.____



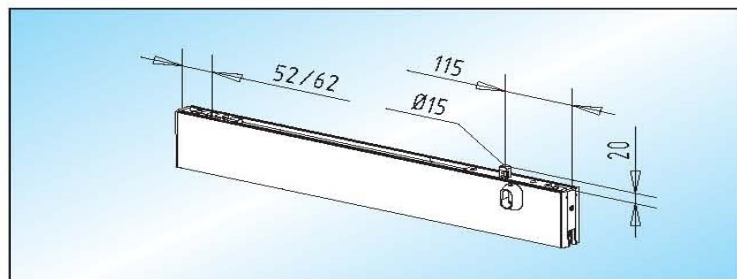
**PS 26.1 - Door rail (76 mm - RTS) / with lock**  
door rail with **vertical lock** and **square bolt**,  
for concealed overhead closer (RTS)

Glass	
8 mm	33.412.0400.____
10 mm	33.412.0900.____
12 mm	33.412.1100.____



**PS 17 / PS 27 - Door rail (76 mm) / with lock**  
door rail with **vertical lock** and **round bolt**

Glass	bottom	top
8 mm	33.304.0400.____	33.404.0400.____
10 mm	33.304.0900.____	33.404.0900.____
12 mm	33.304.1100.____	33.404.1100.____



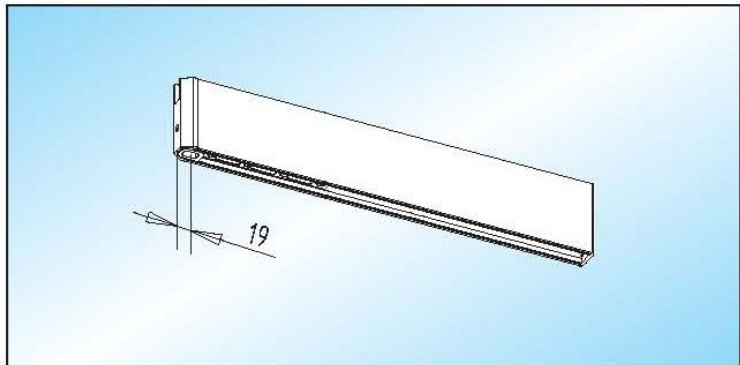
**PS 27.1 - Door rail (76 mm - RTS) / with lock**  
door rail with **vertical lock** and **round bolt**,  
for concealed overhead closer (RTS)

Glass	
8 mm	33.414.0400.____
10 mm	33.414.0900.____
12 mm	33.414.1100.____



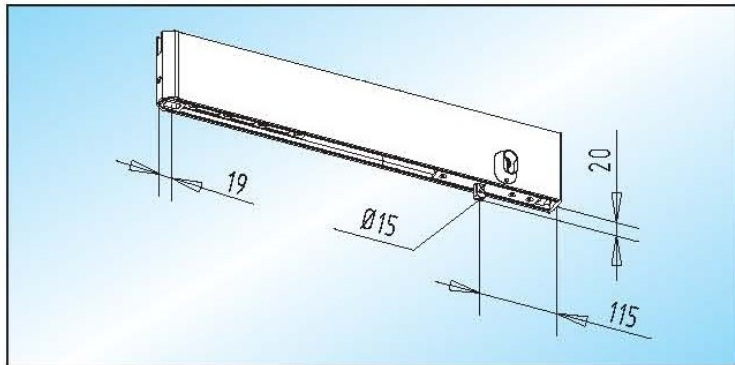
**22mm Pivot point (pinch free)**

- **bottom:** insert to suit flat-tapered floor spring spindle
- **top:** insert for  $\varnothing$  15 mm pivot pin
- available in lengths up to 1.400 mm max as standard, please enquire if you require longer.



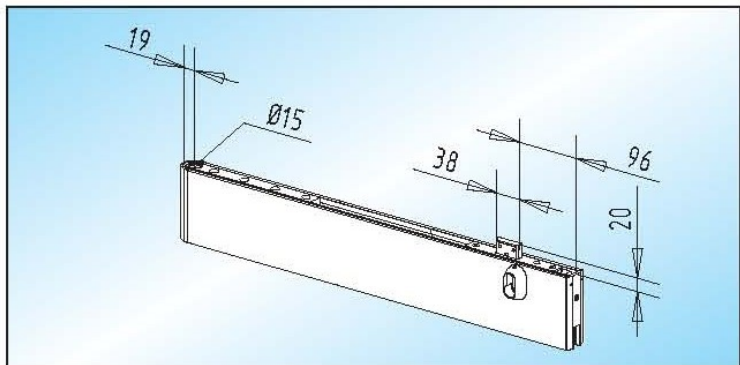
**PS 15.2 / PS 25.2 - Door rail (76 mm)**  
door rail without lock

Glass	bottom	top
8 mm	33.320.0400.____	33.420.0400.____
<b>10 mm</b>	<b>33.320.0900.____</b>	33.420.0900.____
12 mm	33.320.1100.____	33.420.1100.____



**PS 17.2 / PS 27.2 - Door rail (76 mm) / with lock**  
door rail with **vertical lock and round bolt**

Glass	bottom	top
8 mm	33.324.0400.____	33.424.0400.____
<b>10 mm</b>	<b>33.324.0900.____</b>	33.424.0900.____
12 mm	33.324.1100.____	33.424.1100.____

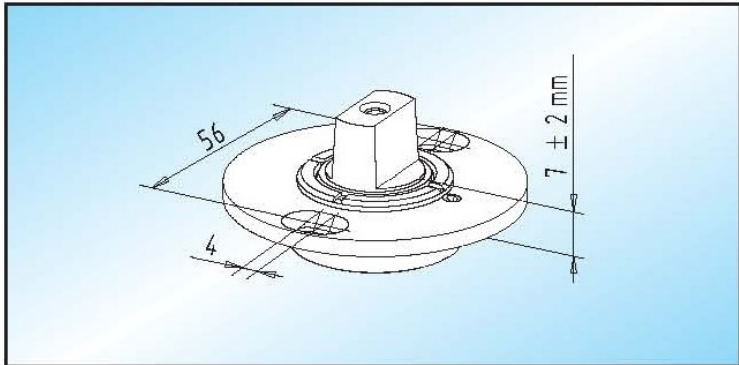


**PS 16.2 / PS 26.2 - Door rail (76 mm) / with lock**  
door rail with **vertical lock and square bolt**

Glass	bottom	top
8 mm	33.322.0400.____	33.422.0400.____
<b>10 mm</b>	<b>33.322.0900.____</b>	<b>33.422.0900.____</b>
12 mm	33.322.1100.____	33.422.1100.____

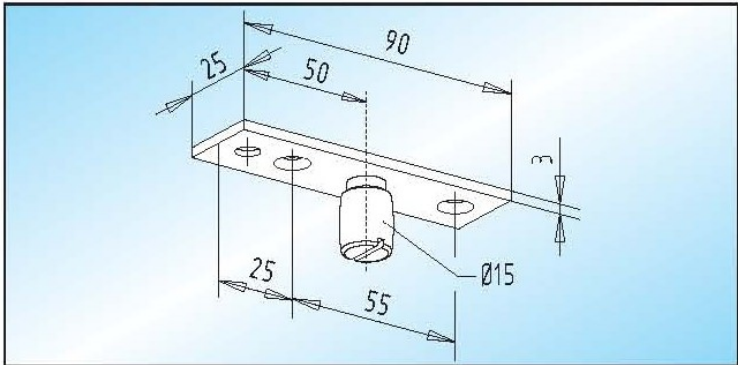


**Accessories**



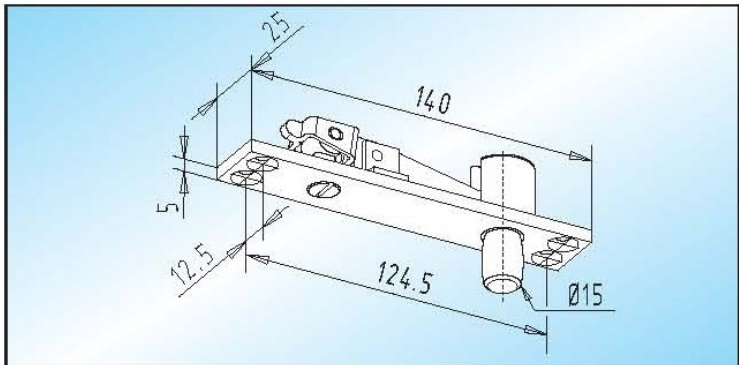
**PT 11 - Free swing floor pivot**  
height-adjustable, galvanized free swing floor pivot

30.122.0000.010



**PT 24 - Top centre**  
top centre with fixing plate in stainless steel

30.126.0000.426

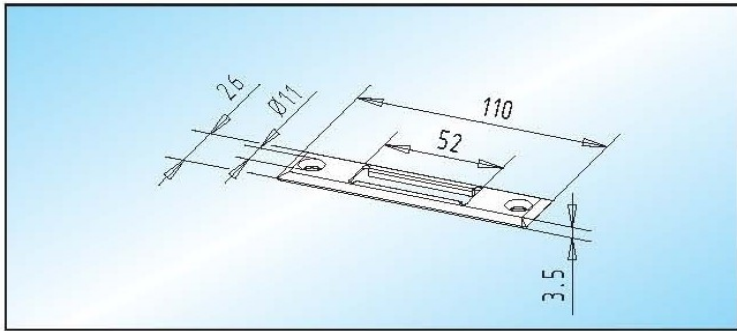


**PT 21 - Top centre / retractable**  
galvanized retractable top centre with fixing plate

30.124.0000.010

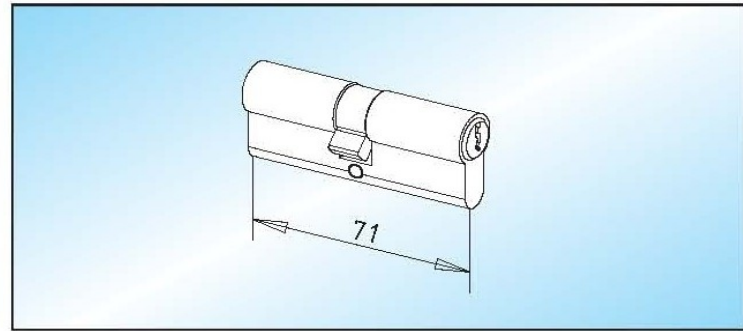


**Accessories**



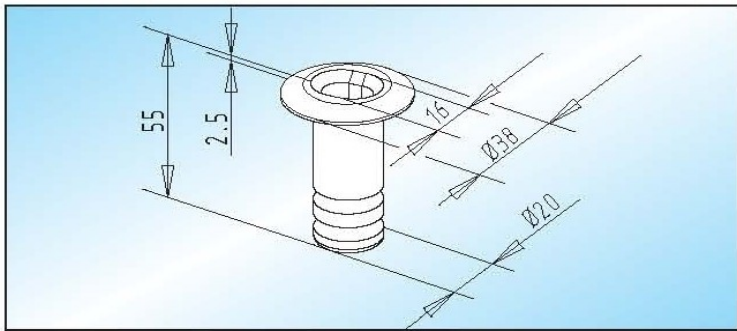
**Strike plate**  
strike plate with screws and plugs  
**Available in brass and stainless steel!**

32.600.0000. \_\_\_



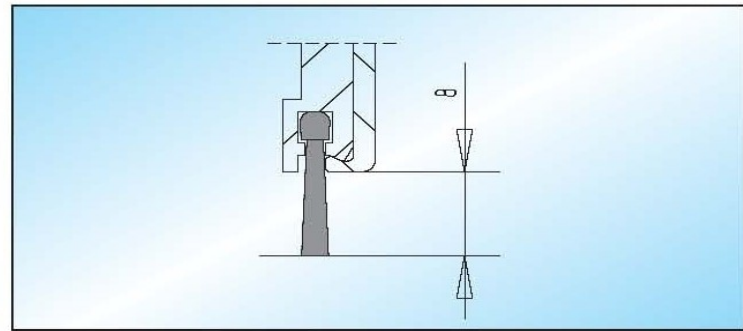
**Profile cylinder**  
matt nickel plated brass profile cylinder / DIN 18252  
71 mm length, with 3 keys

keying	
keyed to differ	26.530.0000.325
keyed alike	26.532.0000.325



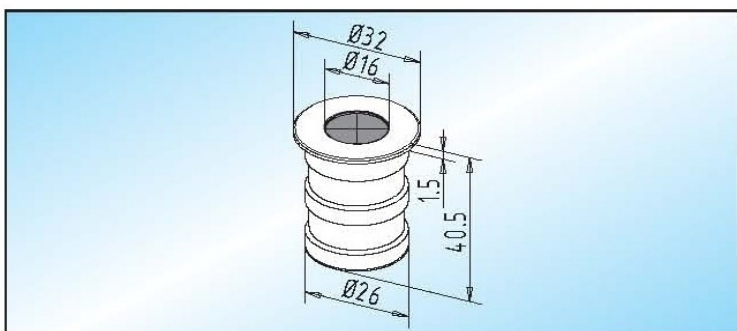
**Floor socket**  
galvanized brass floor socket to suit  $\varnothing$  15 mm round bolt

32.610.0000.310



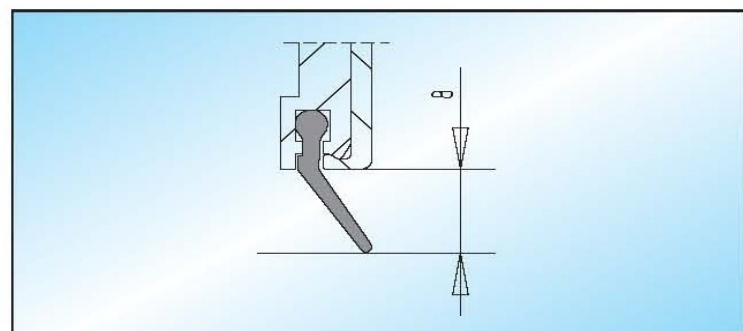
**Brush seal**  
bottom / top brush seal

stock length	33.500.0000.505
fixed lengths	33.502.0000.505



**Floor socket / dust protector**  
spring loaded floor socket with dust protector and stainless steel cover ring, to suit  $\varnothing$  15 mm round bolt  
**corrosion-resistant version**

32.612.0000.426



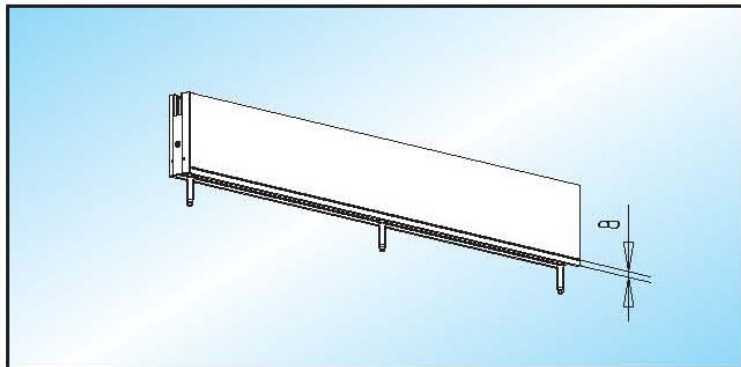
**Rubber swipe seal**  
bottom / top rubber swipe seal

stock length	33.504.0000.505
fixed lengths	33.506.0000.505



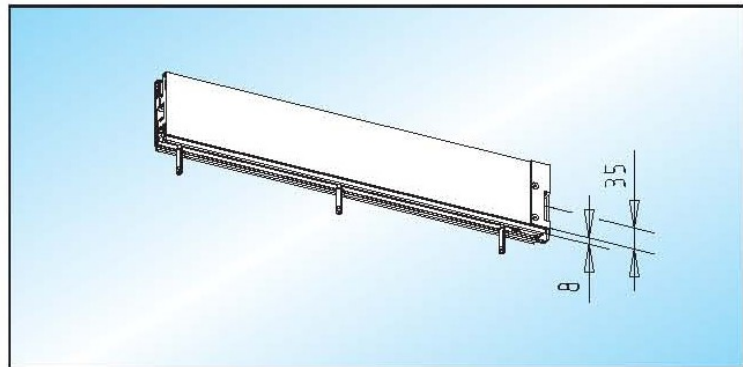
**Sidepanel rails**

- available in lengths up to 6000 mm max as standard
- covers in aluminium in lengths up to 6000mm
- covers in brass/ stainless steel in lengths up to 2000mm



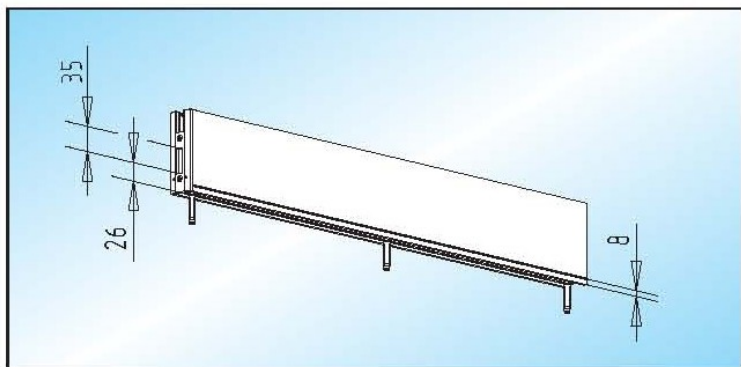
**SK 10 - Bottom sidepanel rail (105 mm)**  
bottom sidepanel rail with 8 mm spacer profile

Glass	
8 mm	33.600.0400. ___
<b>10 mm</b>	<b>33.600.0900. ___</b>
12 mm	33.600.1100. ___
15 mm	33.600.1200. ___
19 mm	33.600.1300. ___



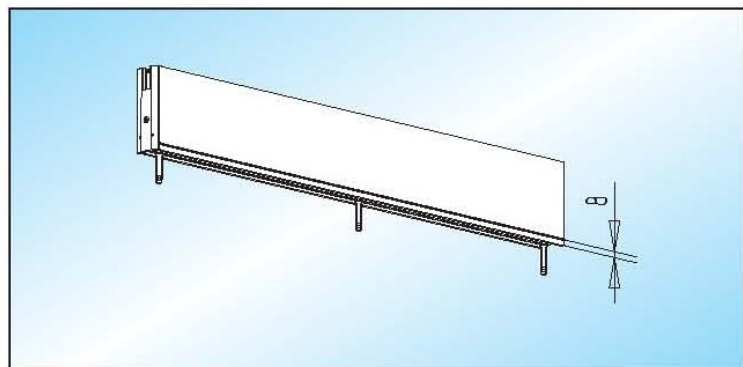
**SK 12 - Bottom sidepanel rail (105 mm)**  
bottom sidepanel rail with electric strike release (fail secure) and stop, with 8 mm spacer profile  
**Glass preparation: page 289**

Glass	left	right
8 mm	33.604.0410. ___	33.604.0420. ___
<b>10 mm</b>	<b>33.604.0910. ___</b>	<b>33.604.0920. ___</b>
12 mm	33.604.1110. ___	33.604.1120. ___
15 mm	33.604.1210. ___	33.604.1220. ___



**SK 11 - Bottom sidepanel rail (105 mm)**  
bottom sidepanel rail with strike box for horizontal lock with square bolt, with 8 mm spacer profile

Glass	
8 mm	33.602.0400. ___
<b>10 mm</b>	<b>33.602.0900. ___</b>
12 mm	33.602.1100. ___
15 mm	33.602.1200. ___
19 mm	33.602.1300. ___



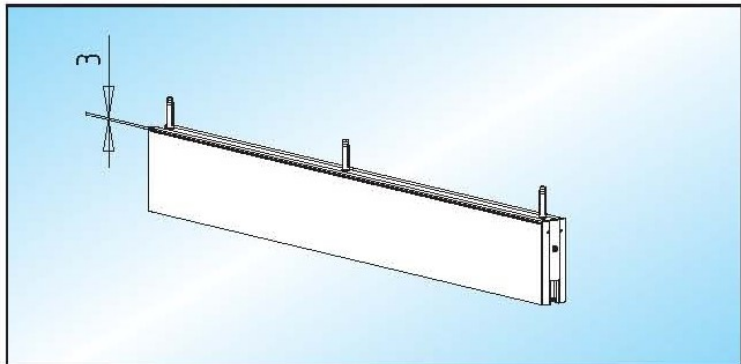
**SK 15 - Bottom sidepanel rail (76 mm)**  
bottom sidepanel rail with 8 mm spacer profile

Glass	
8 mm	33.800.0400. ___
<b>10 mm</b>	<b>33.800.0900. ___</b>
12 mm	33.800.1100. ___



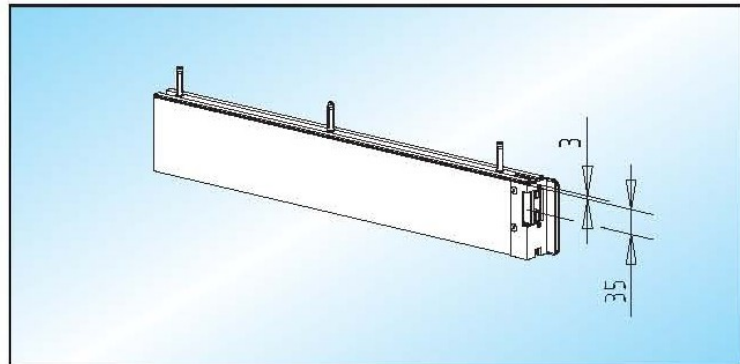
**Sidepanel rails**

- available in lengths up to 6000 mm max as standard
- covers in aluminium in lengths up to 6000mm
- covers in brass/ stainless steel in lengths up to 2000mm



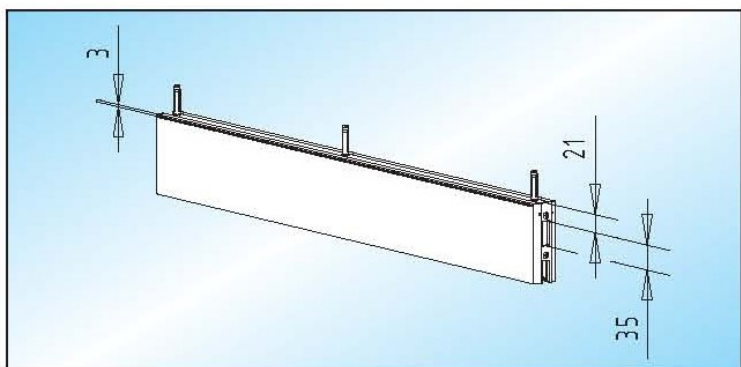
**SK 20 - Top sidepanel rail (105 mm)**  
top sidepanel rail with 3 mm spacer profile

Glass	
8 mm	33.700.0400. ___
<b>10 mm</b>	<b>33.700.0900. ___</b>
12 mm	33.700.1100. ___
15 mm	33.700.1200. ___
19 mm	33.700.1300. ___



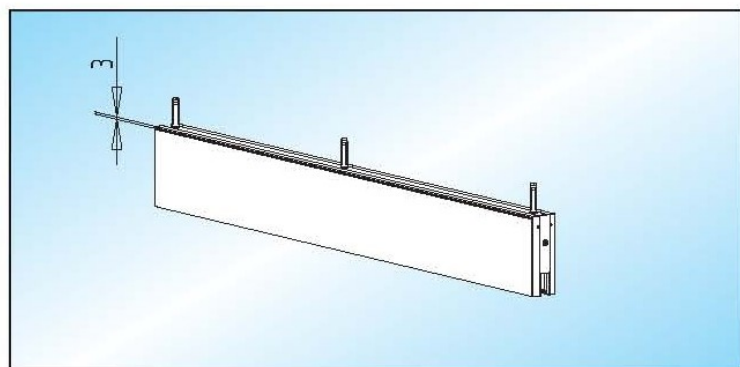
**SK 22 - Top sidepanel rail (105 mm)**  
top sidepanel rail with electric strike release (fail secure) and stop, with 3 mm spacer profile  
**Glass preparation: page 289**

Glass	left	right
8 mm	33.704.0410. ___	33.704.0420. ___
<b>10 mm</b>	<b>33.704.0910. ___</b>	<b>33.704.0920. ___</b>
12 mm	33.704.1110. ___	33.704.1120. ___
15 mm	33.704.1210. ___	33.704.1220. ___



**SK 21 - Top sidepanel rail (105 mm)**  
top sidepanel rail with strike box for horizontal lock with square bolt, with 3 mm spacer profile

Glass	
8 mm	33.702.0400. ___
<b>10 mm</b>	<b>33.702.0900. ___</b>
12 mm	33.702.1100. ___
15 mm	33.702.1200. ___
19 mm	33.702.1300. ___



**SK 25 - Top sidepanel rail (76 mm)**  
top sidepanel rail with 3 mm spacer profile

Glass	
8 mm	33.900.0400. ___
<b>10 mm</b>	<b>33.900.0900. ___</b>
12 mm	33.900.1100. ___



